

Adjustable Stainless Steel Hand Levers

with Threaded Bushing / Threaded Stud, for Tube Clamp Connectors / Linear Actuator Connectors

SPECIFICATION

Handle
Stainless steel precision casting AISI CF-8
Matte shot-blasted
Threaded insert and retaining screw
Stainless steel AISI 303

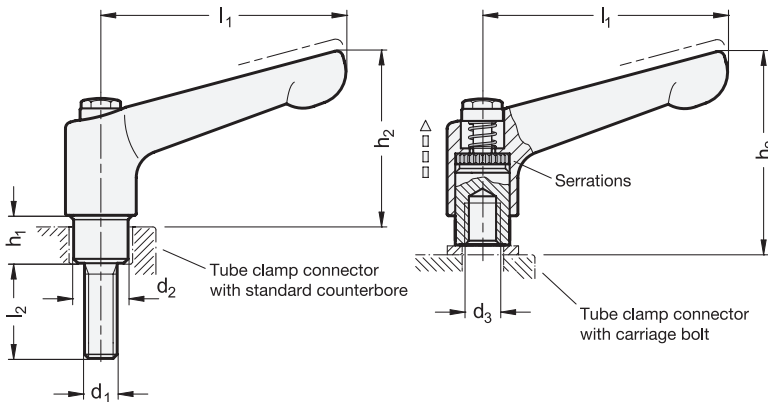
INFORMATION

Adjustable stainless steel hand levers GN 911.3 replace the socket cap screws DIN 912 or the cap nuts DIN 917 (see page) of the tube clamp connectors and linear actuator connectors in stainless steel.

The table of dimensions of the tube clamp connectors and linear actuator connectors shows the matching hand lever for each screw location.

TECHNICAL INFORMATION

- Stainless Steel characteristics (see page A26)



GN 911.3 - with threaded stud

STAINLESS STEEL

Description	l1	d1	l2	d2	h1	h2 ≈	⚖
GN 911.3-45-M6-20-GS	45	M 6	20	10	9	34	48
GN 911.3-63-M6-20-GS	63	M 6	20	10	12	44	98

GN 911.3 - with threaded bushing

STAINLESS STEEL

Description	l1	d3	h2≈	⚖
GN 911.3-63-M8-GS	63	M 8	45	88
GN 911.3-78-M8-GS	78	M 8	54	145
GN 911.3-78-M10-GS	78	M 10	54	142
GN 911.3-92-M10-GS	92	M 10	64	226